

BENZ HIGH SPEED SPINDLES

BENZ JET



NEW

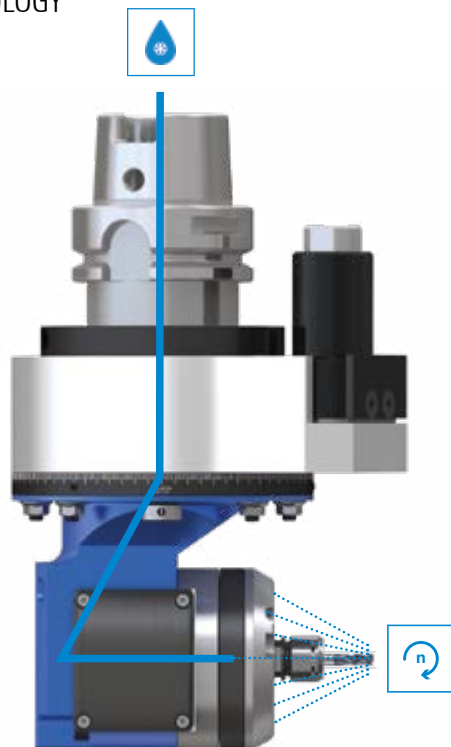
**Coolant Driven
High Speed
Spindle**



High speed operation paired
with the benefits of an angle head

HIGH SPEED SPINDLE BENZ JET

TECHNOLOGY



The coolant driven high speed HPC (high pressure coolant) jet spindle in a 90° angle head configuration gives you all the advantages of high speed machining and the increased flexibility of an angle head:

- + Greater accessibility in hard to reach places
- + Added capabilities for three-axis machines
- + The Jet Spindle's high rigidity and low run-out

In addition, an angle head configuration significantly cuts production time by enabling both horizontal and angular milling and drilling with no need to reposition the work piece.

As added special feature the BENZ Jet High Speed Spindle is equipped with a real-time, wireless RPM monitor and display system to give you these exclusive benefits:

- + Monitor for optimum performance and constant speed
- + Get alerts to avoid tool wear or spindle overload
- + Preprogrammable cutting parameters
- + Track and display RPM's for multiple spindles

APPLICATIONS

The BENZ Jet High Speed Spindle is ideal for finishing and semi-finishing applications in milling, drilling, chamfering, grinding and more by using small diameter cutting tools.



TECHNICAL DATA

Recommended Operating Conditions	HPC Jet Spindle
Coolant pressure [bar]*	20 - 70
Min. coolant flow rate [L/min]	16
Rotational spindle speed [rpm]**	25000 - 45000
Optimum cutting tool Ø [mm] Drilling:	0.5 - 3.0
Optimum cutting tool Ø[mm] Milling:	1.0 - 4.0
Max output power [Kw]	1.5
Available machine interfaces: HSK / SK / CAT / BT / Capto	



* coolant pressure is measured from the spindle inlet

** rotational spindle speed is based on coolant pressure flow rate and may vary up to 7%